



(ISSN: 2587-0238)

Yüner, B. & Barış Pekmezci, F. (2021). Examining The Mediator Effect Of Perceived Disciplinary Climate In The Relationship Between Classroom Management Self-Efficacy And Time Spent On Maintaining Discipline, *International Journal of Education Technology and Scientific Researches*, 6(14), 171-199.

DOI: <http://dx.doi.org/10.35826/ijetsar.215>

Article Type (Makale Türü): Research Article

EXAMINING THE MEDIATOR EFFECT OF PERCEIVED DISCIPLINARY CLIMATE IN THE RELATIONSHIP BETWEEN CLASSROOM MANAGEMENT SELF-EFFICACY AND TIME SPENT ON MAINTAINING DISCIPLINE

Berna YÜNER

Ass. Prof., Yozgat Bozok University, Yozgat, Turkey, bernayuner@gmail.com
ORCID: <https://orcid.org/0000-0001-7162-8397>

Fulya BARIŞ PEKMEZCİ

Ass. Prof., Yozgat Bozok University, Yozgat, Turkey, fulyabaris@gmail.com
ORCID: <https://orcid.org/0000-0001-6989-512X>

Received: 22.07.2020

Accepted: 15.02.2021

Published: 01.04.2021

ABSTRACT

This study aims to examine the mediator effect of perceived disciplinary climate in the relationship between classroom management self-efficacy and time spent on maintaining discipline. The research group of this study consists of 12202 Turkish teachers who participated in The Teaching and Learning International Survey (TALIS) 2018. The classroom management self-efficacy scale, perceived disciplinary climate scale and time spent on maintaining discipline were used as data collection tools. In this study two models are examined. The first model is Model 1 in which the relationship between independent and dependent variables is examined in the absence of the mediator variable, and the other model is Model 2 in which the relationship between independent and dependent variables is examined in the presence of the mediator variable. The results of the study revealed that classroom management self-efficacy is a significant predictor of perceived disciplinary climate and classroom discipline climate is a significant predictor of time spent on maintaining discipline. According to the findings of the study, the perceived disciplinary climate is positively affected by the teachers' self-efficacy in classroom management. Moreover, the more teachers perceive classrooms' disciplinary climate negative, the time they spent on maintaining discipline increases. It was observed that the perceived disciplinary climate has a full mediator effect in the relationship between classroom management self-efficacy and time spent on maintaining discipline. It was revealed that in classes with a disciplinary climate, teachers will devote time to actual learning activities, not to discipline. This will positively affect the quality of teaching and academic results. The findings of the study were discussed based on the literature.

Keywords: Disciplinary climate, Classroom management self-efficacy, Time for discipline, TALIS, Turkey, Mediator effect

INTRODUCTION

According to social cognitive theory, behaviors are affected by outcome expectations and efficacy beliefs (Bandura, 1997). Within this framework, self-efficacy, which expresses beliefs about the skills of planning and executing certain behaviors, determines the individual's decision to exhibit behaviors, how much effort he will put in to perform this behavior, and his resistance to obstacles (Bandura, 1997; Skaalvik & Skaalvik, 2007). Self-efficacy reflects individuals' personal beliefs about what they can do (Bong & Skaalvik, 2003). In education, teachers' beliefs in having teaching skills that affect educational outcomes such as success, interest and motivation are defined as teacher self-efficacy (Klassen et al., 2009; Skaalvik & Skaalvik, 2010; Tschannen-Moran & Hoy, 2001).

Teacher self-efficacy has a common effect even in countries that differ in terms of language and culture, and is a variable that can affect educational outcomes (Klassen et al., 2009; OECD, 2009). Therefore, there is a significant increase in the examination of the concept of teacher self-efficacy in the literature. (Klassen et al., 2011; Klassen & Tze, 2014; Tschannen-Moran & Hoy, 2001). The most important reason for this increase is the positive effect of teacher self-efficacy on teacher and student attitudes, behaviors and ultimately educational outcomes.

Self-efficacy of teachers is one of the basic structures in establishing an effective learning and teaching environment (OECD, 2009). It is associated with the goals set for effective teaching, the effort to achieve these goals and the resistance to setbacks (Tschannen Moran, et al., 1998). Self-efficacy affects the ability to maintain discipline in the teaching environment and how much of the course can be allocated to the actual teaching. Teachers with low self-efficacy beliefs are more pessimistic about students' ability to learn and have more difficulty in regulating undesired behaviors (Caprara et al., 2003; Caprara et.al, 2006; Klassen & Chiu, 2011; Collie, et al., 2012). On the other hand, teachers with high self-efficacy are more determined to work with challenging students (Skaalvik & Skaalvik, 2007). Therefore, teacher self-efficacy affects students' motivation and academic achievement (Oppermann et al., 2019).

Studies reveal significant positive relationship between teachers' self-efficacy and motivation (Tschannen -Moran et al., 1998), job satisfaction (Avanzi et al., 2013; Skaalvik & Skaalvik, 2010; Caprara et al., 2003), and commitment (Chesnut & Burley, 2015). Teachers who have higher self-efficacy, tend to experience less stress and burnout in their work lives (Betoret, 2009), are more effective in arranging and organizing and are more open to new thoughts and new educating techniques (Avanzi et al., 2013). Teacher self-efficacy increases teachers' efforts and resistance to the challenges (Gibson & Dembo, 1984; Podell & Soodak, 1993).

Teaching requires a multi-dimensional examination as it includes many elements such as planning, presentation, evaluation of teaching as well as creating an open climate suitable for learning, providing a disciplinary environment of the classroom, and providing communication channels in which students can express themselves easily. Tschannen-Moran and Woolfolk Hoy (2001) established a multidimensional teacher self-efficacy framework. According to this framework, teacher self-efficacy is explained by three dimensions as classroom

management, teaching and student participation. Many studies in the literature have also addressed teacher self-efficacy in these three dimensions (Klassen et. al., 2009; Pfitzner-Eden et al., 2014; Tschannen-Moran & Hoy, 2001; Vieluf et al., 2013).

Self-efficacy in teaching reflects teachers' beliefs that they can utilize elective teaching practices, explanations and evaluation strategies appropriate to different conditions. Self-efficacy for student participation expresses the belief of teachers in their ability to provide not only cognitive but also emotional support to their students and to motivate them for learning. Finally, classroom management self-efficacy expresses the belief of teachers in their ability to create a disciplined learning environment and to manage undesired behaviors of students effectively (Brouwers & Tomic, 2000).

Classroom management alludes to all practices that teachers perform for organizing teaching environment effectively to facilitate students' learning (Emmer & Evertson, 2009; Evertson & Weinstein, 2006; Woolfolk, 2010). Classroom management is an effort to effectively coordinate and manage the teaching process, student behavior and social interaction (Burden, 2000). Problems related to classroom management are high on the list of teachers' educational concerns (Martin, Yin, & Baldwin, 1998a; Goyette et al., 2000).

The belief of teachers in their ability to carry out the necessary actions in order to maintain classroom order is defined as class management self-efficacy beliefs (Brouwers & Tomic, 2000, p. 242). Parallel to the effect of self-efficacy on behaviors and the assumptions of self-esteem theory, low self-efficacy in classroom management can lead to teachers being more vulnerable to the negative effects of undesirable behaviors in the classroom and have lower ability to cope with difficulties (Bandura, 1997). It can lead to a more negative perception of situations than they are. Dicke et al. (2014) found that prospective teachers who thought they could maintain classroom discipline reported less discomfort regarding classroom behavior.

Within the scope of classroom management, teachers are expected to intervene in undesired behavior, which negatively affects students' learning as well as planning, and organizing teaching. The management of undesirable behaviors in the classroom, in other words ensuring a disciplinary climate, means less time spent on maintaining discipline in the course and more time devoted to learning. The teacher's ability to deal with undesirable behavior effectively affects whether the duration of the course is being used efficiently (Cerit, 2011). In the absence of discipline in the classroom, teachers will devote their time to interfering with undesirable behavior rather than spending it on teaching. Consequently, this will negatively affect the quality of teaching and students' learning level.

Studies have revealed a positive significant relationship among teacher self-efficacy, effective classroom management, and teaching and learning activities (Gibson & Dembo, 1984; Tschannen-Moran et al., 1998). Self-efficacy of teachers in classroom management can influence how they attempt to manage the classroom (Henson, 2003; Henson & Chambers, 2005). Teachers with high self-efficacy tend to prefer more humanist and less controlling classroom management (Henson, 2003; Woolfolk & Hoy, 1990). Also, as Emmer and Hickman

(1991) revealed they tend to use more positive behavior management strategies. Regarding classroom management behavior, teachers with high self-efficacy criticize students less for their undesired behaviors in the classroom (Gibson & Dembo, 1984) and prefer fewer interventionist approaches (Henson, 2003).

In effectively managed classrooms, more time is devoted to learning activities, students have more access to learning and their ability to organize their learning are better (Woolfolk, 2010). The lack of discipline in the classroom and the presence of undesirable behaviors have a negative impact on teachers (Bakker et al., 2007; Chang & Davis, 2009; Evers et al., 2004; Ferguson et al., 2012). The study of Friedman (2006) examining teacher stress showed that burnout is not due to educational problems such as low academic student success, lack of new materials, but social-psychological reasons such as classroom management problems and problematic teacher-student relations. Similarly, Boyle et al. (1995) demonstrated that undesirable student behavior has a significant effect on teacher stress. When the results of the study are reviewed, the provision of classroom discipline is effective on both the well-being of the teacher and the increase of the students' learning level and academic achievement.

Effective classroom management in other words, the control of undesired behavior in the classroom and an appropriate learning environment can increase the time devoted to actual teaching. In this sense, in order to achieve the desired results in education, classroom management, and teachers' self-efficacy should be considered carefully. Therefore, in this study, it is aimed to examine the mediator role of disciplinary climate of classroom in the relationship between teachers' classroom management self-efficacy and the time they spent on maintaining discipline. The question of this research;

Does the perceived disciplinary climate have a mediator role in the relationship between classroom management self-efficacy and time allocated to discipline?

METHOD

In this section, information about the research model, research group, research data and data analysis are presented. The necessary permission was obtained from the ethics commission of Yozgat Bozok University for the research (Date: 23.12.2020; Decision number: 17/11).

Research Models

In this study, the mediator role of perceived disciplinary climate in the relationship between teachers' perceptions of classroom management self-efficacy and time spent on maintaining discipline is examined. Two models have been established to investigate the mediator effect. The first model is Model 1 in which the relationship between independent and dependent variables is examined in the absence of the mediator variable, and the other model is Model 2 in which the relationship between independent and dependent variables is examined in the presence of the mediator variable. The research models are given in Figure 1.

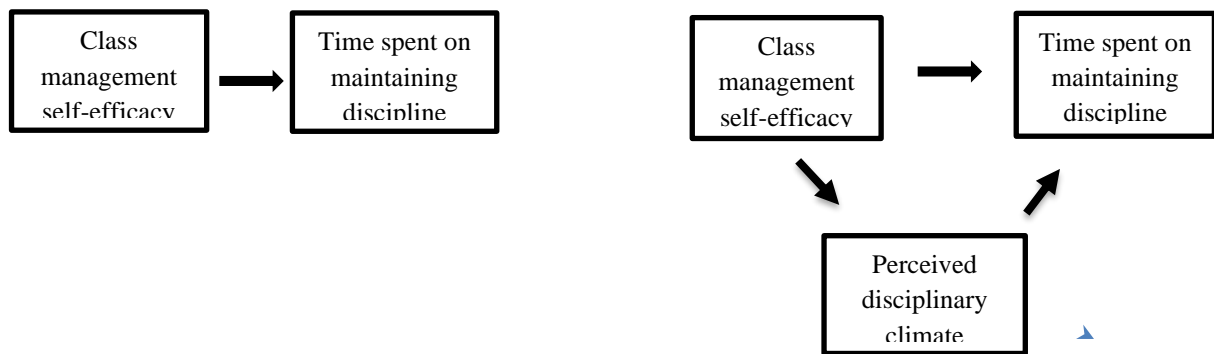


Figure 1. Research Models (Model 1 and Model 2)

Research Group

The research group of this study consists of Turkish teachers who participated in The Teaching and Learning International Survey (TALIS) 2018. TALIS 2018 data shows the responses of teachers at ISCED1 ISCED2 and ISCED3 levels. In the TALIS survey, all classes of 15-year-old students in ISCED2 or ISCED3 levels were defined as target class. Data on the perceived disciplinary climate and time spent on maintaining discipline were collected through target classes. Therefore, the research group of the current study is limited to teachers working at ISCED2 and ISCED3 levels. The research group consists of 12202 teachers. Information about participants are presented in Table1.

Table 1. Information On The Participants Of The Study

Variable		Frequency
Gender	Female	6106
	Male	6096
Education level of teacher	Below level 3	44
	Level 3	22
	Level 4	53
	Level 5	120
	Level 6	10159
	Level 7	1738
ISCED	Level 8	66
	ISCED 2	3844
	ISCED3	8358

Research Data

In this study, TALIS 2018 teacher questionnaire data were used. TALIS is conducted by Organisation for Economic Co-operation and Development (OECD). TALIS 2018 guaranteed the anonymity of teachers and principals in announcing the results of the data. All participants, teachers and principals, gave informed consent. For the current study, the classroom management self-efficacy scale, perceived disciplinary climate scale and time spent on maintaining discipline were used as data collection tools.

Classroom management self-efficacy scale (CMSES): CMSES is developed to examine the self-efficacy of teachers in classroom management. The CMSES is 4-point Likert and composed of four items. Each item can be marked ranging from “never or almost never” to “always”. Higher scores on scale mean that teachers have higher level of self-efficacy beliefs regarding classroom management.

Perceived disciplinary climate scale (PDCS): PDCS is developed to describe teachers' perceptions of classroom disciplines. The PDCS is 4-point Likert and composed of four items. Each item can be marked ranging from “strongly disagree” to “strongly agree”. High scores on scale mean that classroom discipline is low.

Time spent on maintaining discipline (TSMD): TSMD means how much time is spent for discipline students in a classroom. Teachers answered this question according to their last lesson and reported TDD as percentages.

Analysis of data

Before the structural equation modeling (SEM) with the mediator variable, the necessary assumptions were tested. For this purpose, univariate outliers were first examined. Data outside the range of -3.0 to +3.0 were excluded from the analysis (Raykov & Marcoulides, 2008). Also, the Mahalanobis distances of the data were calculated to determine the multivariate outliers and data other than the critical value ($p < .001$) were deleted. The skewness and kurtosis values of the total scores of the scales were examined on the data set of 8947 participants. These values were found to be between -1.5 and +1.5. Thus, the data was distributed normally (Tabachnick & Fidell, 2013).

Exploratory Factor Analysis (EFA) was applied to the data to determine the factor structures of scales before the structural model. EFA revealed a single factor structure for CMSES. Factor loadings of the scale, explained variance ratio and reliability coefficient are given in Table 2.

Table 2. Factor Structure of Classroom Management Self-Efficacy Scale

Items	Factor loads
Control disturbing behavior in the classroom	.700
Make my expectations about student behaviour clear	.575
Make my expectations about student behaviour clear	.746
Calm a student who is disruptive or noisy	.713
Explained variance: 68,361%, Cronbach α = .845	

As a result of the EFA, the scores of PDCS showed a single factor structure. Factor loadings of the scale, explained variance ratio and reliability coefficient are given in Table 3.

Table 3. Factor Structure of Perceived Disciplinary Climate Scale

Items	Factor loads
When the lesson begins, I have to wait quite a long time for students to quieten down	.731
Students in this class take care to create a pleasant learning atmosphere	.444
I lose quite a lot of time because of students interrupting the lesson	.812
There is much disruptive noise in this classroom	.782
Explained variance: 69,263%, Cronbach α = .848	

As shown in Table 2 and Table 3, factor loadings and reliability of the scales used in the research were within the acceptance range stated in the literature (Tabachnick & Fidell, 2013). Structural equation modeling (Model 1) was conducted to examine the effect of classroom management self-efficacy on time spent on maintaining discipline. In order to examine the mediator role of disciplinary climate in the relationship between classroom management self-efficacy and time spent on maintaining discipline, a structural model with a mediator variable (Model 2) was established. In order to determine the effect of mediator variable, 1000 bootstraps were performed. The significance of the indirect effect was determined based on whether the lower and upper limits of the calculated confidence interval contain zero (0) (Preacher & Hayes, 2008).

In a mediator model, it is required that the independent variable has a significant relationship with mediator variable and dependent variable; and the mediator variable has a significant relationship with the dependent variable. However, these relationships are not expected to be too high to cause multicollinearity. High relationships (0.80 and above) point to the problem of multicollinearity. (Iacobucci et al., 2008). When the correlation values given in Table 4 are examined, it is seen that the mediator model can be created between the variables and there is no multicollinearity problem.

Table 4. Relationship Between Mediator, Dependent and Independent Variables

	CMSE	PDC	TSMD
CMSE		-0.238**	-.121**
PDC			.506**

**p<.01

In this study, SPSS 23.00 program was used for descriptive statistics and exploratory factor analysis, and for structural equation modeling MPLUS 7 program was used. The model fit was evaluated in terms of χ^2 , χ^2/df , Root Mean Square Errors of Approximation (RMSEA), Comparative Fit Index (CFI), Standardized Root of Mean Square (SRMR) and Tucker- Lewis Index (TLI). χ^2/df is evaluated as a good fit for the value of 2 and below, and the value up to 5 is considered acceptable fit. However, as the chi-square test increases Type 1 error in large samples and is not appropriate to use (Schermelleh-Engel et al., 2003). Therefore, within the scope of this study, the chi-square fit test was reported but it was not accepted as a real fit criterion. The CFI is accepted as good fit for the value between .95 and 1.00, while the value between .90 and .95 indicates acceptable fit (Kline, 2011; Wang and Wang, 2012). For RMSEA and SRMR, values are lower than .05 shows good fit, are acceptable up to .08, but indicate weaker model data fit with value .10 or more (Browne & Cudeck, 1993).. Finally, the TLI value between .95 and 1.00 indicates a good fit and indicates an acceptable fit value between .90 and .95 (Baumgartner and Homburg, 1996; Marsh et al., 2006).

FINDINGS

The structural model, which examines the effect of classroom management self-efficacy (independent variable) on the time spent on maintaining discipline (dependent variable), is given in Figure 2.

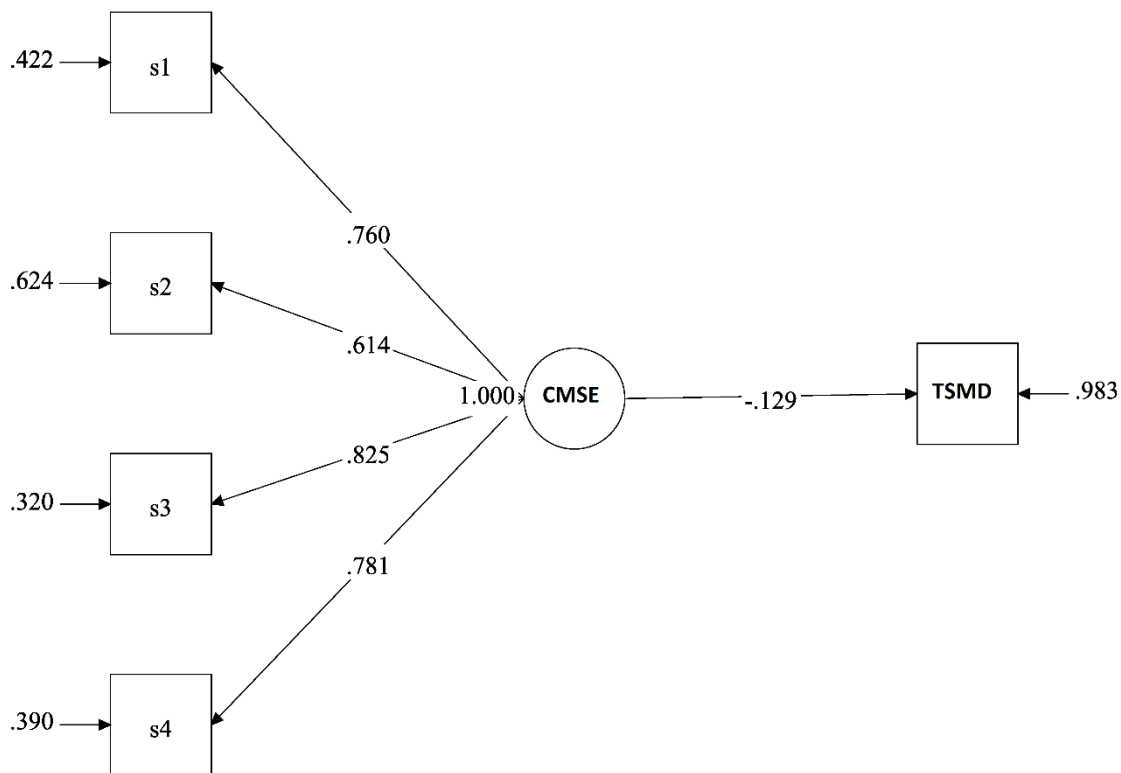


Figure 2. Model 1: Structural Model For Classroom Management Self-Efficacy To Predict The Time Spent On Maintaining Discipline

As shown in Figure 2, when the fit indexes of Model 1 were examined, it was confirmed that the model was verified with acceptable fit indexes ($\chi^2 = 151,193$ $\chi^2 / df = 30,238$, AGFI = .90, RMSEA = .057, CFI = .989, SRMR = .016, TLI = .979) except chi-square and that classroom management self-efficacy is a significant predictor of the time spent on maintaining discipline ($\beta = -.129$, $p < .001$).

Model 2 was established to examine mediator role of the perceived disciplinary climate between classroom management self-efficacy and the time spent on maintaining discipline. In the mediator model, there should be a significant relationship between perceived disciplinary climate, which is the mediator variable, and self-efficacy of classroom management, which is the independent variable. In addition, when the self-efficacy of classroom management (independent variable) is controlled, the perceived disciplinary climate (mediator variable) should significantly predict the time spent on maintaining discipline (dependent variable). Finally, when the effect of the mediator variable is controlled to reveal the mediating role in the model, effect of the relationship between the independent variable (classroom management self-efficacy) and dependent variable (time spent on maintaining discipline) should be decreased or it should be insignificant. The structural equality model in which the mediator effect of classroom disciplinary climate is examined in the relationship between classroom management self-efficacy and time spent on maintaining discipline is given in Figure 3.

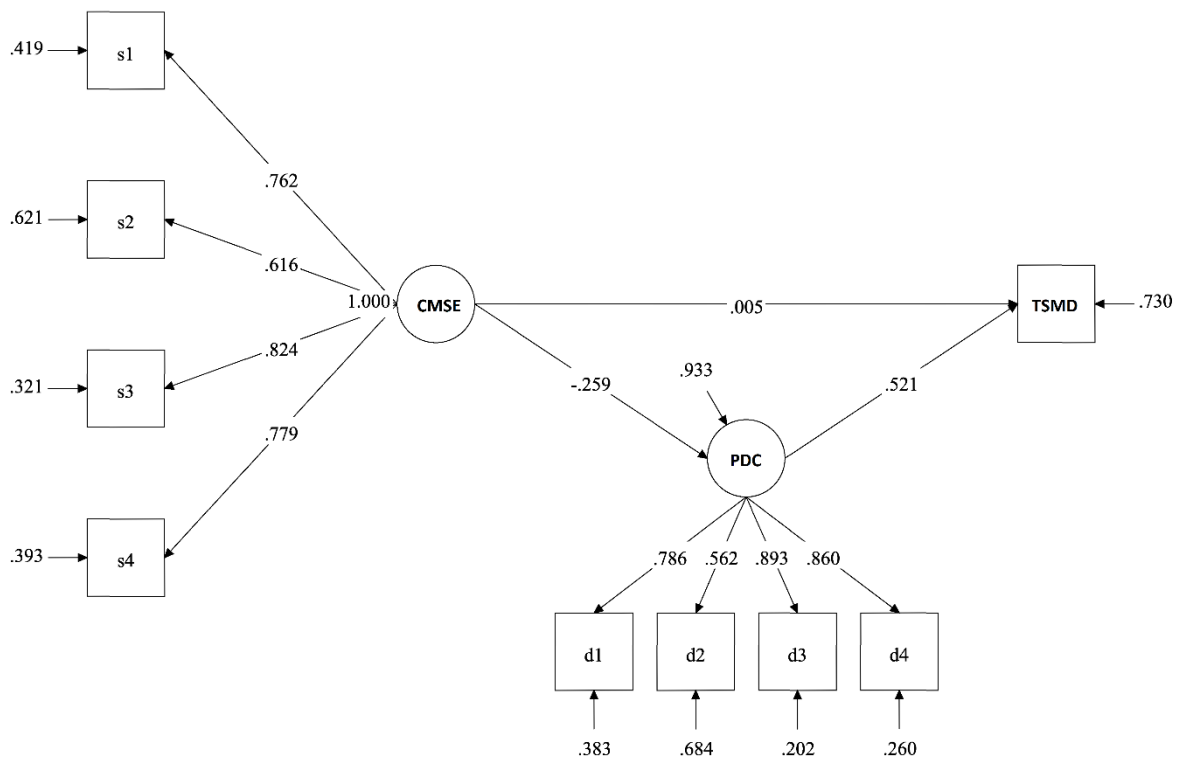


Figure 3. Model 2: The Mediator Effect Of Perceived Disciplinary Climate

The fit index of the mediator model ($\chi^2 = 546,637$, $\chi^2 / df = 21.86$, RMSEA= .048, CFI= .985, SRMR = .025, TLI= .978) revealed that the model fit is good. In Table 5, path coefficients for the mediator model and a bootstrap confidence interval is presented.

Table 5. Path Coefficients And Bootstrap Confidence Interval For The Mediator Model

	B	SH _B	β	95% confidence interval	
				Lower limit	Upper limit
PDC ← CMSE	-.328	.017	-.259**		
TMSD ← PDC	10.483	.227	.521**		
TMSD ← CMSE (Direct effect)	.131	.285	.005		
TMSD ← CMSE (Total effect)	-3.309	.329	-.130**		
TMSD ← PDC ← CMSE (Indirect Effect)	-3.440	.194	-.135**	-.149	-.120

**p<.001

When the standardized regression coefficients given in Table 5 were examined according to the mediator effect proposed by the Baron and Kenny (1986); it was observed that classroom management self-efficacy significantly predicts the perceived disciplinary climate ($\beta = -.259$, $p < .001$) and the perceived disciplinary climate significantly predicts the time spent on maintaining discipline ($\beta = .521$, $p < .001$). When the mediator variable disciplinary climate was added to the model, it was seen that the predictive level of classroom management self-efficacy was decreased and statistically insignificant ($\beta = .005$, $p > .001$). Based on these findings, it can be said that the perceived disciplinary climate has a mediator role in estimating the time spent on maintaining discipline. The

significance of the mediator role was determined by the bootstrap method. The absence of zero in the 95% confidence interval (-.149, -.120) revealed that classroom disciplinary climate has a full mediator effect.

CONCLUSION and DISCUSSION

In this study, which examines the mediator effect of perceived disciplinary climate in the relationship between teachers' classroom management self-efficacy and time spent on maintaining discipline, it is observed that classroom management self-efficacy is a significant predictor of perceived disciplinary climate and classroom discipline climate is a significant predictor of time spent on maintaining discipline.

According to the findings of the study, the perceived disciplinary climate is positively affected by the teachers' self-efficacy in classroom management. This finding is in line with the literature which reveal that teachers with high self-efficacy beliefs are more determined to achieve their goals by believing that they can succeed and are more resistant to undesired behaviors such as disciplinary problems (Gibson & Dembo, 1984; Podell & Soodak, 1993). The high scores obtained from the perceived disciplinary climate scale indicate challenges in classroom discipline. Similar to this finding, there are studies on the relationship between classroom management self-efficacy and discipline. Woolfolk and Hoy (1990) found a significant relationship between teacher self-efficacy and teachers' student control ideologies. Teachers with low self-efficacy beliefs are more likely to criticize students, while teachers with high self-efficacy beliefs prefer to make the student proud and create a positive discipline climate by emphasizing the right behaviors (Gibdon & Dembo, 1984). Bandura (1997) stated that the self-efficacy beliefs in what an individual can do, rather than the skills he or she actually possesses, are more effective in explaining their behavior. In this respect, it can be explained that classes of the teachers with a low level of class management self-efficacy belief have more negative disciplinary climate.

Another finding of the study is that the perceived disciplinary climate is a significant predictor of time spent on maintaining discipline. The more teachers perceive classrooms' disciplinary climate negative, the time they spent on maintaining discipline increases. Discipline is critical for successful teaching. Discipline is the key to create a positive classroom climate and achieve academic success (Masitsa, 2008). Therefore, one of the issues that teachers are concerned about the teaching process is maintaining discipline in the classroom (Eshetu, 2014). Teachers primarily strive to create a disciplined teaching environment in order to achieve the goal of classroom activities. In this respect, the more negative the disciplinary climate they perceive, the more time they spend to create a disciplinary environment.

Within the scope of the research, the mediator role of the perceived disciplinary climate is examined in the relationship between class management self-efficacy and time spent on maintaining discipline. According to the findings, it is observed that the perceived disciplinary climate has a full mediator effect. In the literature, studies examining the mediator relationship of these variables weren't found. However, the studies on teacher self-efficacy in classroom management and discipline (Emmer & Hickman, 1991; Khan et al., 2015), teacher self-efficacy and classroom management skills (Cerit, 2011; Talfarlıoğlu & Ulusoy, 2012) show that the perception of

self-efficacy in classroom management is effective in creating positive disciplinary climate in classes. In classes with a disciplinary climate, teachers will devote time to actual learning activities, not to discipline. This will positively affect the quality of teaching and academic results. Studies in the literature have shown the positive impact of classroom discipline on academic success (Masitsa, 2008; Eshetu, 2014; Ma & Willms, 2004; Ning et al., 2015).

Achieving the objectives in education is possible by increasing student learning at the desired level. Accordingly, it is expected that the teaching environments will be organized and disciplined and that more time is devoted to actual teaching and learning. To increase Turkey's success in both national and international exams, the time devoted to actual learning in the course must be increased both quantitatively and qualitatively. For this purpose, it is expected that the disciplinary climate is ensured in the classrooms and that the time spent on maintaining discipline is minimized.

RECOMMENDATIONS

In this study, it is determined that classroom management self-efficacy has a meaningful relationship with disciplinary climate in the classroom and the reduction of time spent on maintaining discipline. It is found that with the mediator role of the perceived disciplinary climate, classroom management self-efficacy has a significant contribution in determining the time spent on maintaining discipline. Based on the results of the study, it may be recommended to organize professional development programs in the relevant fields in order to increase the self-efficacy of the classroom management, to organize colleague meetings where teachers can share their experiences about classroom management, and to create a healthy and open school climate where teachers can express themselves easily. The current study can be repeated and compared with data from different countries. Conducting the study with other variables that affect the time spent on maintaining discipline can also contribute to the literature.

ETHICAL TEXT

In this article, the journal writing rules, publication principles, research and publication ethics, and journal ethical rules were followed. The responsibility belongs to the authors for any violations that may arise regarding the article.

Author(s) Contribution Rate: The contribution rate of the first author to this article is 50%; The second author's contribution rate to this article is 50%.

REFERENCES

- Avanzi, L., Miglioretti, M., Velasco, V., Balducci, C., Vecchio, L., Fraccaroli, F., & Skaalvik, E. (2013). Cross-validation of the norwegian teacher's self-efficacy scale (NTSES). *Teaching and Teacher Education, 31*, 69-78.
- Bakker, A. B., & Demerouti, E. (2007). The job demands–resources model: State of the art. *Journal of Managerial Psychology, 22*, 309–328. <https://doi.org/10.1108/02683940710733115>

- Bandura, A. (1977). Self-efficacy: Toward a unifying theory of behavioral change. *Psychological Review*, 84, 191-215.
- Baron, R. M. ve Kenny, D. A. (1986). The moderator-mediator variable distinction in social psychological research: Conceptual, strategic, and statistical considerations. *Journal of Personality and Social Psychology*, 51, 1173-1182.
- Baumgartner, H. & Homburg, C. (1996). Applications of structural equation modeling in marketing and consumer research: A review. *International Journal of Research in Marketing*, 13(2), 139-161.
- Betoret, F. D. (2009). Self-efficacy, school resources, job stressors and burnout among Spanish primary and secondary school teachers: A structural equation approach. *Educational Psychology*, 29, 45-68.
- Bong, M., & Skaalvik, E. M. (2003). Academic self-concept and self-efficacy: How different are they really? *Educational Psychology Review*, 15, 1-40. <https://doi.org/10.1023/A:1021302408382>
- Boyle, G. J., Borg, M. G., Falzon, J. M., & Baglioni Jr., A. J. (1995). A structural model of the dimensions of teacher stress. *British Journal of Educational Psychology*, 65, 49 – 67. <https://doi.org/10.1111/j.2044-8279.1995.tb01130.x>
- Brouwers, A., & Tomic, W. (2000). A longitudinal study of teacher burnout and perceived self-efficacy in classroom management. *Teaching and Teacher Education*, 16, 239 –253. [https://doi.org/10.1016/S0742-051X\(99\)00057-8](https://doi.org/10.1016/S0742-051X(99)00057-8)
- Browne, M. W. & Cudeck, R. (1993). Alternative ways of assessing model fit. K. A. Bollen ve J. S. Long (Ed.), *Testing structural equation models* (pp. 136-162). Sage.
- Burden, P. R. (2000). *Powerful classroom management strategies: Motivation students to learn*. Corwin Press.
- Caprara, G., Barbaranelli, C., Borgogni, L. & Steca, P. (2003). Efficacy Beliefs as Determinants of Teachers' Job Satisfaction. *Journal of Educational Psychology*. 95. 821-832. <https://doi.org/10.1037/0022-0663.95.4.821>
- Caprara, G.V., Barbaranelli, C., Steca, P., & Malone, P.S. (2006). Teachers' self-efficacy beliefs as determinants of job satisfaction and students' academic achievement: A study at the school level. *Journal of School Psychology*, 44, 473-490.
- Cerit, Y. (2011). The relationship between pre-service classroom teachers' self-efficacy beliefs and classroom management orientations. *Buca Eğitim Fakültesi Dergisi*, (30), 156-174.
- Chang, M.-L., & Davis, H. A. (2009). Understanding the role of teacher appraisals in shaping the dynamics of their relationships with students: Deconstructing teachers' judgments of disruptive behavior/students. In P. A. Schutz & M. Zembylas (Eds.), *Advances in teacher emotions research*. Springer.
- Chesnut, S, R. & Burley, H. (2015). Self-efficacy as a predictor of commitment to the teaching profession: A meta-analysis. *Educational Research Review*, 15, 1-16.
- Collie, R. J., Shapka, J. D., & Perry, N. E. (2012). School Climate and Social-Emotional Learning: Predicting Teacher Stress, Job Satisfaction, and Teaching Efficacy. *Journal of Educational Psychology*, 104, 1189-1204. <https://doi.org/10.1037/a0029356> .

- Dicke, T., Parker, P. D., Marsh, H. W., Kunter, M., Schmeck, A., & Leutner, D. (2014, January 20). Self-Efficacy in Classroom Management, Classroom Disturbances, and Emotional Exhaustion: A Moderated Mediation Analysis of Teacher Candidates. *Journal of Educational Psychology*. Advance online publication. <https://doi.org/doi:10.1037/a0035504>
- Emmer, E. & Hickman, J. (1991). Teacher efficacy in classroom management and discipline. *Educational and Psychological Measurement*, 51, 755-765.
- Eshetu, A. A. (2014). Indiscipline problems of high school students: The case of Ethio-Japan Hidassee Secondary School (Addis Ababa, Ethiopia). *Journal of Education and Practice*, 5(37), 23-28. Retrieved from <http://www.iiste.org>
- Evers, W. J. G., Tomic, W., & Brouwers, A. (2004). Burnout among teachers: Students' and teachers' perceptions compared. *School Psychology International*, 25, 131-148. <https://doi.org/10.1177/0143034304043670>
- Evertson, C. M., & Emmer, E. T. (2009). *Classroom management for elementary teachers*. Pearson.
- Evertson, C.M., & Weinstein, C.S. (2006). Classroom management as a field of enquiry. In C.M. Evertson & C.S. Weinstein (Eds.), *Handbook of classroom management. Research, practice, and contemporary issues* (pp. 1-16). Lawrence Erlbaum.
- Ferguson, K., Frost, L., & Hall, D. (2012). Predicting teacher stress, anxiety, and job satisfaction. *Journal of Teaching and Learning*, 8(1), 27-42.
- Friedman, I. (2006). Classroom management and teacher stress and burnout. In C. M. Evertson & C. S. Weinstein (Eds.), *Handbook of classroom management: Research, practice, and contemporary issues* (pp. 925-944). Erlbaum.
- Gibson, S. & Dembo, M.H. (1984). Teacher efficacy: a construct validation. *Journal of Educational Psychology*, 76 (4), 569-582.
- Goyette, R., Dore, R., & Dion, E. (2000). Pupils' misbehaviors and the reactions and causal attributions of physical education student teachers: A sequential analysis. *Journal of Teaching in Physical Education*, 20, 3 - 14.
- Henson, R. K. (2003). Relationships between pre-service teachers' self-efficacy, task analysis, and classroom management beliefs. *Research in the Schools*, 10 (1), 53-62.
- Henson, R.K. & Chambers, S.M. (2005). Personality type as a predictor of teaching efficacy and classroom control in emergency certification teachers. *Education*, 124 (2), 261-8.
- Iacobucci, D., Neela S. & Xiaoyan D. (2007). A meditation on mediation: evidence that structural equations models perform better than regressions. *Journal of Consumer Psychology*, 17(2), 139-153.
- Khan, A., Fleva, E. & Qazi, T. (2015). Role of self-esteem and general self-efficacy in teachers' efficacy in primary schools. *Psychology*. 6. 117-125. <https://doi.org/10.4236/psych.2015.61010>
- Klassen, R. M., & Chiu, M. M. (2011). The occupational commitment and intention to quit of practicing and pre-service teachers: Influence of self-efficacy, job stress, and teaching context. *Contemporary Educational Psychology*, 36, 114-129. <https://doi.org/10.1016/j.cedpsych.2011.01.002>

- Klassen, R. M., Bong, M., Usher, E. L., Chong, W. H., Huan, V. S., Wong, I. Y. F., & Georgiou, T. (2009). Exploring the validity of the Teachers' Self-Efficacy Scale in five countries. *Contemporary Educational Psychology, 34*, 67–76. <https://doi.org/10.1016/j.cedpsych.2008.08.001>
- Klassen, R., & Tze, V. M. C. (2014). Teachers' self-efficacy, personality, and teaching effectiveness: A meta-analysis. *Educational Research Review, 12*, 59-76. <https://doi.org/10.1016/j.edurev.2014.06.001>
- Kline, R. B. (2011). *Principles and practice of structural equation modeling*. The Guilford Press.
- Ma, X., & Willms, J. D. (2004). School Disciplinary Climate: Characteristics and Effects on Eighth Grade Achievement. *Alberta Journal of Educational Research, 50*(2), 169–188.
- Marsh, H. W., Hau, K. T., Artelt, C., Baumert, J. & Peschar, J. L. (2006). OECD's brief self-report measure of educational psychology's most useful affective constructs: Cross-cultural, psychometric comparisons across 25 countries. *International Journal of Testing, 6*(4), 311-360.
- Martin, N. K., Yin, Z., Baldwin, B. (1998). Construct validation of the attitudes & Beliefs on classroom control inventory. *Journal of Classroom Interaction, 33*(2), 6-15
- Masitsa, G. (2008). Discipline and disciplinary measures in the Free State township schools: Unresolved problems. *Acta Academica, 40*(3), 234 - 270. http://reference.sabinet.co.za/sa_epublication_article/academ_v40_n3_a10
- Ning, B., Van -Dammme, J., Yang , X., & Gielen, S. (2013, September). *Does classroom disciplinary climate in a school matter everywhere? A cross-country comparative study*. Paper presented at The 2013 Annual Meeting of the European Conference on Educational Research. Retrieved from <https://lirias.kuleuven.be/handle/123456789/428773>
- OECD (2009), *Creating Effective Teaching and Learning Environments: First Results from TALIS*, TALIS, OECD Publishing. <http://dx.doi.org/10.1787/9789264068780-en>.
- Oppermann, E., Brunner, M. & Anders, Y. (2019). The interplay between preschool teachers' science self-efficacy beliefs, their teaching practices, and girls' and boys' early science motivation. *Learning and Individual Differences, 70*. 86-99. <https://doi.org/10.1016/j.lindif.2019.01.006>.
- Pfitzner-Eden, F., Thiel, F. & Horsley, J. (2014). An Adapted Measure of Teacher Self-Efficacy for Preservice Teachers: Exploring its Validity Across two Countries. *Zeitschrift für Pädagogische Psychologie, 28*. 83-92. <https://doi.org/10.1024/1010-0652/a000125>.
- Podell, D. & Soodak, L. (1993). Teacher efficacy and bias in special education referrals. *Journal of Educational Research, 86*, 247-53.
- Preacher, K. J. & Hayes, A. F. (2008). Asymptotic and resampling strategies for assessing and comparing indirect effects in multiple mediator models. *Behavior Research Methods, 40*(3), 879-891.
- Raykov, T., & Marcoulides, G. A. (2008). *An Introduction to applied multivariate analysis*. Taylor & Francis Group
- Schermelleh-Engel, K., Moosbrugger, H. ve Muller, H. (2003). Evaluating the fit of structural equation models: Tests of significance and descriptive goodness-of-fit measures. *Method of Psychological Research, 8*(2), 23-74.

- Simbula, S., Guglielmi, D., & Schaufeli, W. B. (2011). A three-wave study of job resources, self-efficacy, and work engagement among Italian schoolteachers. *European Journal of Work and Organizational Psychology, 20*(3), 285–304. <https://doi.org/10.1080/13594320903513916>
- Skaalvik, E. M., & Skaalvik, S. (2007). Dimensions of teacher self-efficacy and relations with strain factors, perceived collective teacher efficacy, and teacher burnout. *Journal of Educational Psychology, 99*, 611–625. <https://doi.org/10.1037/0022-0663.99.3.611>
- Skaalvik, E., & Skaalvik, S. (2010). Teacher self-efficacy and teacher burnout: A study of relations. *Teaching and Teacher Education, 26*, 1059–1069.
- Tabachnick, B. G. & Fidell, L. S. (2013). *Using multivariate statistics*. Pearson.
- Tilfarlıoğlu, F. Y., & Ulusoy, S. (2012). Teachers' self-efficacy and classroom management skills in EFL classrooms. *Electronic Journal Of Education Sciences, 1*(2), 37-57.
- Tschannen-Moran, M., & Woolfolk Hoy, A. (2001). Teacher efficacy: Capturing an elusive construct. *Teaching and Teacher Education, 17*, 783–805. [https://doi.org/10.1016/S0742-051X\(01\)00036-1](https://doi.org/10.1016/S0742-051X(01)00036-1)
- Tschannen-Moran, M., Woolfolk Hoy, A., & Hoy, W. K. (1998). Teacher efficacy: Its meaning and measure. *Review of Educational Research, 68*, 202–248. <https://doi.org/10.3102/00346543068002202>
- Vieluf, S. & Kunter, M. & Van de Vijver, F. (2013). Teacher self-efficacy in cross-national perspective. *Teaching and Teacher Education, 35*. 92-103. <https://doi.org/10.1016/j.tate.2013.05.006>
- Wang, J. & Wang, X. (2012). *Structural equation modeling: Applications using Mplus*. John Wiley & Sons.
- Woolfolk, A. (2010). *Educational psychology* (11th ed.). Merrill.
- Woolfolk, A. E. & Hoy, W.K. (1990) Prospective teachers' sense of efficacy and beliefs about control. *Journal of Educational Psychology, 82*, 81–91.

SINIF YÖNETİMİ ÖZ YETERLİĞİ İLE DİSİPLİNE AYRILAN ZAMAN İLİŞKİSİNDE SINIF DİSİPLİNİ ALGISININ ARACI ETKİSİNİN İNCELENMESİ

öz

Bu çalışma, sınıf yönetimi öz yeterliği ve disipline ayrılan zaman arasındaki ilişkide algılanan disiplin ikliminin aracı etkisini incelemeyi amaçlamaktadır. Bu araştırmanın araştırma grubu Uluslararası Öğretme ve Öğrenme Araştırması (The Teaching and Learning International Survey [TALIS]) 2018'e katılan 12202 Türk öğretmeninden oluşmaktadır. Veri toplama aracı olarak TALIS anketinde bulunan sınıf yönetimi öz-yeterlik ölçeği, algılanan disiplin iklimi ölçeği ve disipline ayrılan zaman araştırma verileri olarak kullanılmıştır. Araştırmadaki değişkenler arasındaki ilişkinin belirlenmesi amacıyla iki model incelenmiştir. Bunlardan ilki bağımsız ve bağımlı değişken arası ilişkinin aracı değişkenin yokluğunda incelendiği Model 1'dir. Diğeri ise bağımsız ve bağımlı değişken arası ilişkinin aracı değişkenin varlığında incelendiği Model 2'dir. Araştırma sonucunda değişkenler arasında anlamlı ilişkiler olduğu; sınıf yönetimi öz yeterliliğinin algılanan disiplin ikliminin; disiplini ikliminin ise disipline ayrılan zamanın anlamlı bir yordayıcısı olduğunu saptanmıştır. Araştırmanın bulgularına göre, algılanan disiplin iklimi öğretmenlerin sınıf yönetimindeki öz yeterliklerinden olumlu etkilenmektedir. Öz yeterlik inancı yüksek olan öğretmenler, başarabileceklerine inanarak hedeflerini gerçekleştirme konusunda daha azimli olmaktadır. Ayrıca yüksek öz yeterlik inancına sahip öğretmenler disiplin sorunları gibi sınıf içi istenmeyen davranışlar karşısında daha dirençli olmaktadır. Ayrıca algılanan disiplin iklimi ile disipline ayrılan zaman arasında anlamlı bir ilişki olduğu saptanmıştır. Araştırma sonucunda öğretmenlerin sınıf disiplin iklimini olumsuz algıladıkça disiplin sağlayabilmek için harcadıkları sürenin arttığı saptanmıştır. Aracılık ilişkisi incelendiğinde; algılanan disiplin ikliminin, sınıf yönetimi öz yeterliliği ile disipline ayrılan zaman arasındaki ilişki üzerinde tam aracılık etkisi olduğu görülmüştür. Disiplin iklimi sağlanmış sınıflarda öğretmenler zamanları disiplin için değil gerçek öğrenme etkinliklerine ayıracaktır. Bu durum öğretimin niteliğini ve akademik sonuçları olumlu şekilde etkileyeceği görülmüştür. Çalışmanın bulguları literatür ışığında tartışılmıştır.

Anahtar kelimeler: Disiplin iklimi, Sınıf yönetimi öz yeterliği, Disipline ayrılan zaman, TALIS, Aracı etki

GİRİŞ

Sosyal bilişsel teoriye göre davranışlar, sonuç beklentilerinden ve yeterli inançlarından etkilenmektedir (Bandura, 1997). Bu çerçevede belirli davranışları planlama ve yürütme becerilerine ilişkin inançları ifade eden öz yeterlik, bireyin davranışları sergileme kararını, bu davranışı gerçekleştirmek için ne kadar çaba harcayacağını ve engeller karşısındaki direncini belirlemektedir (Bandura, 1997; Skaalvik ve Skaalvik, 2007). Öz yeterlik, bireylerin yapabilecekleri hakkındaki kişisel inançlarını yansıtmaktadır (Bong ve Skaalvik, 2003). Eğitimde ise öğrencilerin başarısı, ilgisi, motivasyonu gibi eğitim çıktılarını etkileyen öğretim becerilerine sahip olmalarına ilişkin öğretmen inançları öğretmen öz yeterliği olarak tanımlanmaktadır (Klassen vd., 2009; Skaalvik ve Skaalvik, 2010; Tschannen-Moran ve Hoy, 2001).

Öğretmen öz yeterliği, dil ve kültür açısından farklılık gösteren ülkelerde dahi ortak bir etkiye sahip olup eğitim çıktılarını etkileyebilecek nitelikte bir değişkendir (Klassen vd., 2009; OECD, 2009). Bu nedenle eğitim alanında öğretmen öz yeterliği kavramının incelenmesinde dikkate değer bir artış gözlenmektedir (Klassen vd., 2011; Klassen ve Tze, 2014; Tschannen-Moran ve Hoy, 2001). Bu artışın en önemli nedeni öğretmen öz yeterliğinin, öğretmen ve öğrenci tutumları, davranışları ve nihai olarak eğitim çıktıları üzerinde olumlu etkisinin gözlemlenmesidir.

Öğretmen öz yeterliği, etkili öğrenme ve öğretim ortamının oluşturulmasındaki temel yapılardan biridir (OECD, 2009). Öğretmen öz yeterliği, öğretimin gerçekleşebilmesi için belirlenen hedefler, hedeflere ulaşmada gösterilecek çaba ve aksilikler karşısındaki direnç ile ilişkilidir (Tschannen Moran, vd., 1998). Öz yeterlik inancı, öğretim ortamındaki disiplinin sağlanabilmesini ve ders sürecinin ne kadarının derse ayrılacağını etkilemektedir. Düşük öz yeterlik inancına sahip öğretmenler, öğrencilerin öğrenebilmesi konusunda daha karamsar olmakta ve istenmeyen davranışların düzenlenmesi noktasında daha fazla güçlük çekmektedir (Caprara vd., 2003; Caprara et.al, 2006; Klassen ve Chiu, 2011; Collie, Shapka ve Perry, 2012). Diğer bir yandan, yüksek öz yeterliğe sahip öğretmenler, zorlu öğrencilerle çalışma konusunda daha kararlı olmaktadır (Skaalvik ve Skaalvik, 2007). Dolayısıyla öğretmen öz yeterliği, öğrencilerin motivasyonu ve akademik başarılarını etkilemektedir (Oppermann vd., 2019).

Araştırmalar öğretmen öz yeterliği ile öğretmenlerin iş doyumu (Avanzi vd., 2013; Skaalvik ve Skaalvik, 2010; Caprara vd., 2003), motivasyonu (Tschannen -Moran vd., 1998) ve bağlılığı (Chesnut ve Burley, 2015) arasında pozitif yönlü anlamlı ilişkiler bulunduğunu göstermektedir. Yüksek öz yeterliğe sahip öğretmenler, iş yaşamlarında daha az stres ve tükenmişlik yaşamakta (Betoret, 2009), planlama ve organizasyon yapmada daha etkili olup, yeni fikirlere, yeni öğretim yöntemlerine daha açık olmaktadır (Avanzi vd., 2013; Tschannen-Moran ve Woolfolk Hoy, 2001; Simbula vd., 2011). Öğretmen öz yeterliği, öğretmenlerin zorluklar karşısında ki gösterecekleri çabayı ve direnci artırmaktadır (Gibson ve Dembo, 1984; Podell ve Soodak, 1993).

Öğretmenliğin, öğretimin planlanması, sunulması, değerlendirilmesinin yanı sıra öğrenmeye uygun açık bir iklim oluşturulması, sınıfın disiplin ortamının sağlanması, öğrencilerin kendilerini ifade edebilecekleri iletişim kanallarının sunulması gibi pek çok unsuru kapsamı çok boyutlu olarak incelenmesini gerektirmektedir. Bu

doğrultuda Tschannen-Moran ve Woolfolk Hoy (2001) çok boyutlu bir öğretmen öz yeterlilik çerçevesi oluşturmuştur. Bu çerçeveye göre öğretmen öz yeterlilikleri, *sınıf yönetimi*, *öğretim* ve *öğrenci katılımı* olarak üç temel boyuta ayrılmaktadır. Alanyazındaki pek çok araştırma da öğretmen öz yeterliğini bu üç temel boyut içinde ele almıştır (Klassen vd., 2009; Pfitzner-Eden vd., 2014; Tschannen-Moran ve Hoy, 2001; Vieluf, Kunter ve Van de Vijver, 2013).

Öğretimdeki öz yeterlik, öğretmenlerin farklı koşullara uygun alternatif öğretim uygulamalarını, açıklamaları ve değerlendirme stratejilerini kullanabilmelerine dair inançlarını yansıtmaktır. *Öğrenci katılımı için öz yeterlik*, öğretmenlerin, öğrencilerine duygusal ve bilişsel destek verebilme ve öğrencileri öğrenmeye motive edebilme yeterliklerine ilişkin inançlarını ifade etmektedir. Son olarak, *sınıf yönetimi öz yeterliği*, öğretmenlerin düzenli bir öğrenme ortamı oluşturma ve istenmeyen öğrenci davranışlarını etkili bir şekilde yönetme yeterlikleri hakkındaki inançlarını ifade etmektedir (Brouwers ve Tomic, 2000).

Sınıf yönetimi; öğretmenlerin, öğrencilerin öğrenmesini kolaylaştırmak için öğretim ve sınıfları etkin bir şekilde organize etmek için gerçekleştirdikleri tüm eylemleri ifade etmektedir (Emmer ve Evertson, 2009; Evertson ve Emmer, 2009; Evertson ve Weinstein, 2006; Woolfolk, 2010). Sınıf yönetimi; öğretme sürecini, öğrenci davranışlarını ve sosyal etkileşimi bir bütün olarak etkin bir biçimde koordine etme ve yönetme çabasıdır (Burden, 2000). Sınıf yönetimine ilişkin sorunlar, öğretmenlerin eğitimle ilgili endişeleri listesinde üst sıralarda yer almaktadır (Martin, Yin, ve Baldwin, 1998a; Goyette vd., 2000).

Öğretmenlerin sınıf düzenini korumak için gerekli eylemleri yürütme yeteneklerine olan inançları *sınıf yönetimi öz yeterlik inançları* olarak tanımlanmaktadır (Brouwers ve Tomic, 2000, s. 242). Öz yeterliğin davranışlar üzerindeki etkisi ve öz değer teorisinin varsayımlarına paralel olarak, sınıf yönetiminde düşük öz-yeterlik, öğretmenlerin sınıftaki istenmeyen davranışların olumsuz etkilerine karşı daha kırılgan olmasına ve güçlüklerle başa çıkma becerilerinin daha düşük olmasına yol açabilmektedir (Bandura, 1997). Yetersizlik inancı, durumların olduğundan daha olumsuz algılanmasına neden olabilmektedir. Dicke vd., (2014) sınıf disiplinini daha iyi sağlayabileceğini düşünen öğretmen adaylarının sınıf içi davranışlara ilişkin daha az rahatsızlık bildirdiğini saptamıştır.

Öğretmenlerden sınıf yönetimi kapsamında öğretimi planlamanın ve düzenlemenin yanı sıra, öğrencilerin öğrenmelerini olumsuz etkileyen kötü davranışlara uygun stratejilerle müdahale etmeleri beklenmektedir. Sınıftaki istenmeyen davranışların düzenlenmesi yani disiplin ikliminin sağlanması, ders içerisinde disipline ayrılan zamanın azalması ve öğrenmeye daha fazla zaman ayrılması anlamına gelmektedir. Öğretmenin istenmeyen davranışlarla etkili bir şekilde başa çıkabilmesi, ders süresinin verimli bir şekilde kullanılıp kullanılmadığını etkilemektedir (Cerit, 2011). Sınıfta disiplin ortamı sağlanamadığında öğretmenler zamanlarını öğretime harcamak yerine istenmeyen davranışlara müdahale etmek için ayırmış olacaktır. Sonuç olarak bu durum öğretimin kalitesini ve öğrencilerin öğrenme düzeyini olumsuz etkileyecektir.

Alanyazındaki çalışmalar öğretmen öz-yeterliği ile etkili sınıf yönetimi ve öğretim ve öğrenme etkinlikleri arasında anlamlı bir ilişki olduğunu saptamıştır (Gibson ve Dembo, 1984; Tschannen-Moran vd., 1998). Bir öğretmenin

sınıf yönetimi öz yeterlik inancı, sınıfı yönetmek için nasıl girişimde bulunduracağını etkileyebilmektedir (Henson, 2003; Henson ve Chambers, 2005). Henson (2003), öğretmenlerin öz-yeterlik inançları ile sınıf yönetimi arasında manidar bir ilişki olduğunu, öğretmenin öz yeterlik inançlarının sınıf yönetimi davranışını etkilediğini belirtmiştir. Öz yeterlik inancı yüksek olan öğretmenlerin, daha hümanist ve daha az kontrolcü sınıf yönetimi tercih etme eğiliminde oldukları (Henson, 2003; Woolfolk ve Hoy, 1990) ve aynı zamanda daha olumlu davranış yönetimi stratejileri kullandıkları gözlemlenmiştir (Emmer ve Hickman, 1991). Sınıf yönetimi davranışları ile ilgili olarak, yeterlik inancı yüksek öğretmenler, sınıf içi istenmeyen davranışlar sonrasında öğrencileri daha az eleştirmekte (Gibson ve Dembo, 1984) ve müdahaleci yaklaşımları daha az tercih etmektedir (Henson, 2003).

Etkili şekilde yönetilen sınıflarda öğrenme etkinliklerine daha fazla zaman ayrılmakta, öğrenciler, öğrenmeye daha fazla erişebilmekte ve öğrenmelerini daha iyi düzenleme ve yönetme becerisine sahip olmaktadır (Woolfolk, 2010). Sınıfta disiplin ikliminin sağlanamaması ve istenmeyen davranışlar sergileyen öğrencilerin bulunması, öğretmenler üzerinde de olumsuz bir etkiye sahiptir (Bakker vd., 2007; Boyle vd., 1995; Chang ve Davis, 2009; Evers vd., 2004; Ferguson, Frost, ve Hall, 2012; Friedman, 2006). Friedman'ın (2006) öğretmen stresini incelediği çalışmasında tükenmişliğin, düşük akademik öğrenci başarısı, yeni materyallerin yoksunluğu gibi öğretimsel sorunlardan değil sınıf yönetimi sorunları ve problemlili öğretmen-öğrenci ilişkileri gibi sosyal-psikolojik nedenlerden kaynaklandığını göstermiştir. Benzer şekilde Boyle vd., (1995) istenmeyen öğrenci davranışlarının öğretmen stresi üzerinde anlamlı etkisinin olduğunu ortaya koymuştur. Çalışma sonuçları birlikte ele alındığında, sınıf disiplininin sağlanması hem öğretmen iyi oluşu hem de öğrencilerin öğrenme düzeyinin ve akademik başarılarının artmasında etkili olmaktadır

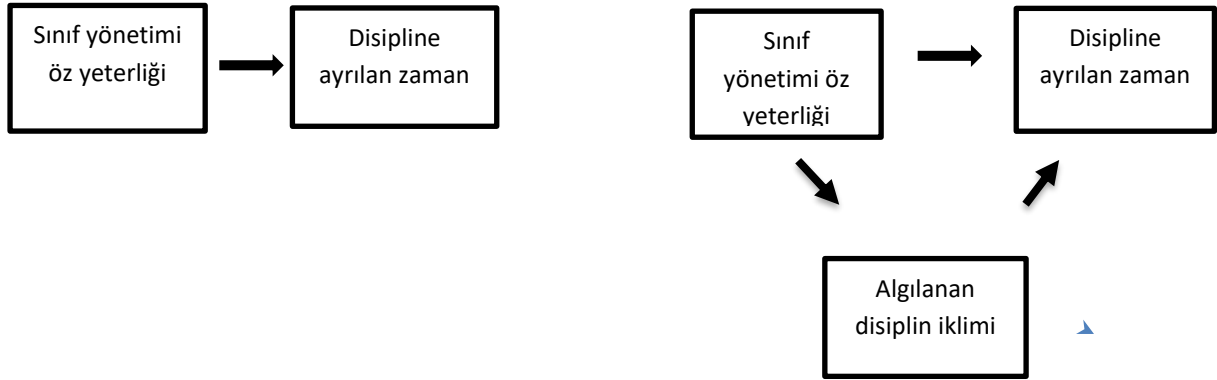
Etkin bir sınıf yönetimi, sınıf içi istenmeyen davranışların kontrol altına alınmasını yani disiplin ikliminin sağlanmasını ve ders süresinin gerçekten öğrenmeye ayrılmasını sağlayabilir. Bu anlamda eğitimde istenen sonuçlara ulaşılmasında sınıf yönetiminin ve öğretmenlerin bu konudaki öz yeterliklerinin dikkatle ele alınması gerekmektedir. Bu doğrultuda, bu çalışmada öğretmenlerin sınıf yönetimi öz yeterlik inançları ile disipline ayırdıkları zaman arasındaki ilişkide disiplin ikliminin aracı rolünün incelenmesi amaçlanmıştır.

YÖNTEM

Bu bölümde araştırma modeli, araştırma grubu, araştırma verileri ve veri analizine ilişkin bilgiler sunulmuştur. Araştırma için Yozgat Bozok Üniversitesi etik komisyonundan gerekli izin alınmıştır (Tarih: 23.12.2020; Karar no:17/11).

Araştırma Modelleri

Bu araştırma kapsamında öğretmenlerin sınıf yönetimi öz yeterlik algıları ile sınıf disiplinine ayırdıkları zaman arasında sınıf içi disiplin ikliminin aracı rolü incelenmiştir. Aracı ilişkinin araştırılması amacıyla iki model kurulmuştur. Bunlardan ilki bağımsız ve bağımlı değişken arası ilişkinin aracı değişkenin yokluğunda incelendiği Model 1, diğeri ise bağımsız ve bağımlı değişken arası ilişkinin aracı değişkenin varlığında incelendiği Model 2'dir. Araştırmanın modelleri Şekil 1'de verilmiştir.



Şekil 1. Araştırma Modelleri (Model 1 ve Model 2)

Araştırma Grubu

Araştırma grubu TALIS 2018 uygulaması Türkiye örnekleminde oluşmaktadır. Türkiye 2018 verisinde Uluslararası Standart Eğitim Sınıflamasına [International Standard Classification of Education] göre ISCED1, ISCED2 ve ISCED3 düzeyinde görev yapan öğretmenlerin TALIS anketine verdikleri yanıtlar bulunmaktadır. Çalışma kapsamında ele alınan algılanan disiplin iklimi ve disipline ayrılan zaman'a ilişkin veriler hedef (target) sınıflar üzerinden toplanmıştır. TALIS anketinde 15 yaşındaki öğrencilerin bulunduğu sınıfların hepsi yani ISCED2 ve ISCED3 düzeyi hedef (target) sınıflar olarak tanımlanmıştır. Bu nedenle mevcut çalışmanın araştırma grubu ISCED2 ve ISCED3 düzeyinde görev yapan öğretmenler ile sınırlandırılmıştır. Çalışma grubu 12202 öğretmenden oluşmaktadır. Yapılan analizler sonucunda 8947 ölçeğin analize uygun olduğu görülmüştür. Katılımcılara ilişkin veriler Tablo 1'de sunulmuştur.

Tablo 1. Katılımcılara İlişkin Veriler

Değişken		N
Cinsiyet	Kadın	6106
	Erkek	6096
Eğitim düzeyi	ISCED 3'ten düşük	44
	ISCED 3	22
	ISCED 4	53
	ISCED 5	120
	ISCED 6	10159
	ISCED 7	1738
Çalıştıkları kurum	ISCED 8	66
	ISCED 2	3844
	ISCED3	8358

Araştırmanın Verileri

Bu çalışmada TALIS 2018 uygulaması öğretmen anketinden elde edilen veriler kullanılmıştır. TALIS anketinde bulunan sınıf yönetimi öz-yeterlik ölçeği, algılanan disiplin iklimi ölçeği ve disipline ayrılan zaman araştırma verileri olarak kullanılmıştır.

Sınıf yönetimi öz yeterlik ölçeği (SYÖYÖ): Öğretmenlerin sınıf yönetimdeki yeterliklerini belirlemek üzere geliştirilmiştir. SYÖYÖ, “hiç”, “biraz” “oldukça” ve “çok” şeklinde derecelendirilmiş olup dört maddeden oluşmaktadır. Ölçekten alınacak yüksek puanlar öğretmenlerin sınıf yönetimine dair öz yeterlik inançlarının yüksek olduğu anlamına gelmektedir. Ölçeğe ait Omega katsayısı .901; DFA sonucunda uyum değerleri CFI=.996, TLI=.998, RMSEA= .031 ve SRMS= .009 olarak raporlanmıştır (OECD, 2019).

Algılanan disiplin iklimi ölçeği (ADIÖ): Öğretmenlerin sınıf disiplinlerine ilişkin algılarını betimlemek üzere geliştirilmiştir. ADIÖ, 4'lü Likert şeklinde olup dört maddeden oluşmaktadır. Her bir madde “kesinlikle katılmıyorum” ile “kesinlikle katılıyorum” arasında işaretlenebilmektedir. Ölçekten alınacak yüksek puanlar sınıf disiplininin düşük olduğu anlamına gelmektedir. Ölçeğe ait Omega katsayısı .874; DFA sonucunda uyum değerleri CFI=.996, TLI=.907, RMSEA= .075 ve SRMS= .018 olarak raporlanmıştır (OECD, 2019).

Disipline Ayrılan Zaman (DAZ): DAZ, sınıfta öğrencilerin disiplini için ne kadar süre ayrıldığını ifade etmektedir. Öğretmenler bu soruya girdikleri son derse göre cevap vermişlerdir ve DAZ yüzde olarak ifade edilmiştir.

Verilerin Analizi

Aracı değişken ile yapısal eşitlik modellemesine başlanmadan önce yapısal eşitlik modeli (YEM)'nin kullanılabilmesi için gerekli varsayımlar test edilmiştir. Bu amaçla öncelikle tek değişkenli uç değerler incelenmiştir. Z değeri -3.0 ile +3.0 aralığı dışında kalan veriler analizden çıkarılmıştır (Raykov ve Marcoulides, 2008). Ayrıca çok değişkenli uç değerlerin belirlenmesi amacıyla verilerin Mahalanobis uzaklıkları hesaplanmış ve kritik değer ($p < .001$) dışında kalan veriler silinmiştir. Bu işlemler sonucunda 8947 katılımcıya ait veri setindeki ölçek toplam puanları üzerinden çarpıklık ve basıklık değerleri hesaplanmıştır. Hesaplanan değerlerin kabul sınırları içerisinde olduğu (-1.5 ve +1.5) arasında olduğu belirlenmiş ve veri dağılımının normal olduğu kabul edilmiştir (Tabachnick ve Fidell, 2013).

Yapısal model öncesi ölçeklerin faktör yapıları incelenmiştir. Tek faktörlü SYÖY ölçeğinin faktör yükleri, açıklanan varyans oranları ve güvenirlik katsayısı Tablo 2’de verilmiştir.

Tablo 2. Sınıf Yönetimi Öz-Yeterlik Ölçeğinin Faktör Yapısı

Maddeler	Faktör yükleri
Sınıftaki istenmeyen davranışları kontrol edebilme	.700
Öğrenci davranışlarıyla ilgili beklentimi açıkça ifade edebilme	.575
Öğrencilere sınıf kurallarına uymasını sağlayabilme	.746
Gürültülü ya da rahatsız edici davranışta bulunan öğrenciyi sakinleştirebilme	.713
Açıklanan varyans: %68.361, Cronbach α = .845	

Tek faktörlü ADİ yapıya ölçeğinin faktör yükleri, açıklanan varyans oranı ve güvenirlik katsayısı Tablo 3’te verilmiştir.

Tablo 3. Algılanan Disiplin İklimi Ölçeğinin Faktör Yapısı

Maddeler	Faktör yükleri
Ders başladığında öğrencileri sakinleştirmek için uzunca bir süre beklemem gerekir.	.731
Bu sınıftaki öğrenciler keyifli öğrenme ortamı oluşturmaya özen gösterirler.	.444
Öğrencilerin dersi bölmesi nedeniyle çok fazla zaman kaybederim.	.812
Bu sınıfta çok fazla rahatsız edici ses olur.	.782
Açıklanan varyans: %69.263, Cronbach α = .848	

Tablo 2 ve Tablo 3'te görüldüğü üzere araştırmada kullanılan ölçeklerin faktör yükleri ve güvenilirlikleri alanyazında belirtilen kabul sınırları içerisinde (Tabachnick ve Fidell, 2013). Sınıf yönetimi öz yeterlik inancının disipline ayrılan zaman üzerindeki etkisini incelemek amacıyla yapısal eşitlik modellemesi (Model 1) yapılmıştır. Sınıf yönetimi öz yeterlik inancı ile disipline ayrılan zaman ilişkisinde disiplin ikliminin aracı rolünün incelenmesi için aracı değişken ile yapısal model (Model 2) kurulmuştur. Aracı değişkenin etkisinin belirlenmesi amacıyla 1000 özyükleme (bootstrap) yapılmıştır. Özyükleme (bootstrap) yöntemiyle belirlenen dolaylı etkinin anlamlılığına, hesaplanan güven aralığı alt ve üst sınırının sıfır (0)'ı kapsamasına göre karar verilmiştir (Preacher ve Hayes, 2008).

Aracılık modelinde, bağımsız değişkenin aracı değişken ile bağımlı değişken; aracı değişkenin de bağımlı değişken ile istatistiksel olarak anlamlı bir ilişkisi olması beklenmektedir. Değişkenler arasındaki ilişkilerin çoklu bağlantıya neden olacak kadar yüksek olmaması beklenmektedir. Çok yüksek ilişkiler (0,80 ve üzeri) çoklu bağlantı problemi olduğunu göstermektedir (Iacobucci vd., 2008). Tablo 3'de verilen korelasyon değerleri incelendiğinde çoklu bağlantı probleminin olmadığını ve değişkenler arasında aracılık modelinin kurulabileceğini görülmüştür.

Tablo 4. Aracı Değişken ve Bağımlı, Bağımsız Değişken Arası İlişkiler

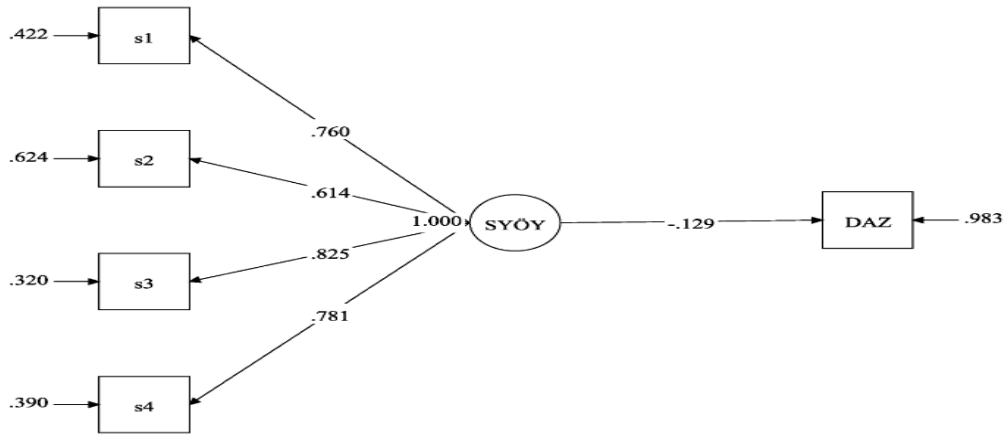
	SYÖY	ADİ	DAZ
SYÖY		-0.238**	-.121**
ADİ			.506**

**p<.01

Araştırmada betimsel istatistikler ve açımlayıcı faktör analizi için SPSS 23.00 programı, yapısal eşitlik modellemesi için ise MPLUS 7 programı kullanılmıştır. Modellerin uyumu incelenirken χ^2 , χ^2/sd , RMSEA, CFI, SRMR ve TLI değerleri ele alınmıştır. χ^2/sd değerinin 2 ve daha düşük olması iyi uyum, 5'e kadar ise kabul edilebilir olarak değerlendirilmektedir. Ancak kay kare testi büyük örneklerde Tip 1 hatayı arttırmaktadır ve kullanılması doğru değildir (Schermelleh-Engel, Moosbrugger ve Müller, 2003). Bu nedenle çalışma kapsamında kay kare uyum testi rapor edilmiştir ancak uyum kriteri olarak kabul edilmemiştir. Diğer uyum indekslerinden olan CFI ve TLI'nın değerlendirilme aralığı .95 - 1.00 değerleri arasında iyi uyum; .90 - .95 değerleri arasında kabul edilebilir uyum olarak değerlendirilmektedir (Baumgartner ve Homburg, 1996; Marsh vd., 2006; Kline, 2011; Wang ve Wang, 2012). Uyum için incelenen diğer indexlerden RMSEA ve SRMR'nin .05 ve daha düşük olması iyi uyum, değer .08'e kadar değer alması kabul edilebilir olarak değerlendirilmiştir. .10 ve üzeri ise modelin zayıf uyumu olarak yorumlanmıştır (Browne ve Cudeck, 1993).

BULGULAR

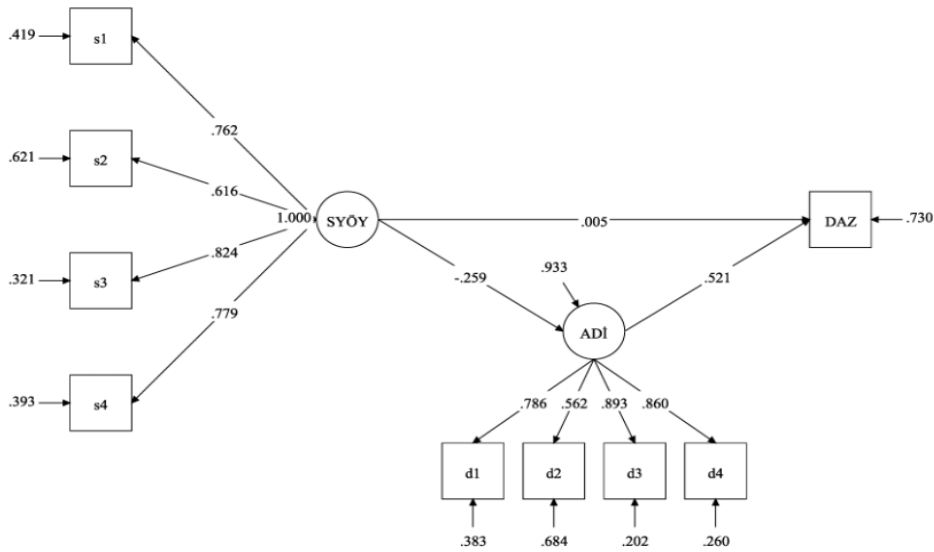
Sınıf yönetimi özyeterliğinin (bağımsız değişken), disipline ayrılan zaman (bağımlı değişken) üzerindeki etkisinin incelendiği yapısal model Şekil 2'de verilmiştir.



Şekil 2. Model 1: Sınıf Yönetimi Öz Yeterliğinin Disipline Ayrılan Zamanı Yordama Gücü

Şekil 2’de görüldüğü üzere, Model 1’in uyum indeksleri değerlendirildiğinde model uyumunun kabul edilebilir olduğu ($\chi^2 = 151,193$, $\chi^2 / sd = 30,238$, AGFI= .90, RMSEA= .057, CFI= .989, SRMR = .016, TLI= .979) ve sınıf yönetimi öz yeterliğinin disiplinine ayrılan zamanı yordama düzeyinin ($\beta = -.129$, $p < .001$) manidar olduğu görülmüştür.

Sınıf yönetimi öz yeterliği ile disipline ayrılan zaman arasında algılanan disiplin ikliminin aracı rolünün incelenmesi amacıyla Model 2 kurulmuştur. Aracı modelde aracı değişken algılanan disiplin iklimi ve bağımsız değişken sınıf yönetimi öz yeterliği arasında istatistiksel olarak anlamlı bir ilişkinin olması beklenmektedir. Ayrıca sınıf yönetimi öz yeterliği (bağımsız değişken) kontrol edildiğinde algılanan disiplin ikliminin (aracı değişken) disipline ayrılan zamanı (bağımlı değişken) anlamlı bir yordayıcısı olması beklenmektedir. Modeldeki aracılık rolünün saptanabilmesi için aracı değişken kontrolde tutulduğunda bağımsız değişken sınıf yönetimi öz yeterliği ile bağımlı değişken algılanan disipline ayrılan zaman arasında ilişkinin anlamsız veya miktarında azalma olmalıdır. Şekil 3’te sınıf içi disipline ayrılan zaman ve sınıf içi disiplin ikliminin ilişkisinde, sınıf yönetimi öz yeterliğinin aracılık etkisinin gözlemlendiği yapısal eşitlik modeli verilmiştir.



Şekil 3. Model 2: Sınıf Yönetimi Öz Yeterliğinin Aracılık Etkisi

Aracı modelin uyum indeksleri ($\chi^2 = 546.637$, $\chi^2 /sd = 21,86$, RMSEA= .048, CFI= .985, SRMR = .025, TLI= .978) incelendiğinde model uyumunun iyi düzeyde olduğu saptanmıştır. Tablo 4’de aracılık modeline ilişkin yol katsayıları ve özyükleme (bootstrap) güven aralığı sunulmuştur.

Tablo 4. Aracılık Modeline İlişkin Yol Katsayıları Ve Bootstrap Güven Aralığı

	B	SH_B	β	%95 güven aralığı	
				Alt limit	Üst limit
$AD\dot{I} \leftarrow SY\ddot{O}Y$	-.328	.017	-.259**		
$DAZ \leftarrow AD\dot{I}$	10.483	.227	.521**		
$DAZ \leftarrow SY\ddot{O}Y$ (Doğrudan etki)	.131	.285	.005		
$DAZ \leftarrow SY\ddot{O}Y$ (Toplam etki)	-3.309	.329	-.130**		
$DAZ \leftarrow AD\dot{I} \leftarrow SY\ddot{O}Y$ (Dolaylı Etki)	-3.440	.194	-.135**	-.149	-.120

** $p < 0.001$

$AD\dot{I}$: algılanan disiplin iklimi; DAZ : disipline ayrılan zaman; $SY\ddot{O}Y$: sınıf yönetimi öz yeterliği

Baron ve Kenny’nin (1986) önerdiği aracılık etkisine göre Tablo 4’de verilen standardize edilmiş regresyon katsayıları incelendiğinde; sınıf yönetimi öz yeterliğinin algılanan disiplin iklimini ($\beta = -.259$, $p < .001$), algılanan disiplin ikliminin de disipline ayrılan zamanı ($\beta = .521$, $p < .001$), anlamlı bir şekilde yordadığı görülmüştür. Aracı değişken olan sınıf yönetimi öz yeterliği modele eklendiğinde sınıf yönetimi öz yeterliğinin sınıf içi disipline ayrılan zamanı yordama düzeyinin ($\beta = .005$, $p > .001$) düştüğü ve istatistiksel olarak anlamsızlaştığı görülmüştür. Bu bulgulara dayanarak algılanan disiplin ikliminin, disipline ayrılan zamanın kestirilmesinde aracı role sahip olduğu söylenebilir. Aracılık rolünün anlamlılığı özyükleme (bootstrap) yöntemi ile belirlenmiştir. %95 güven aralığı içerisinde sıfırın bulunmamasından (-.149, -.120) kaynaklı sınıf içi disiplin ikliminin tam aracı bir etkiye sahip olduğu söylenebilir.

TARTIŞMA ve SONUÇ

Öğretmenlerin sınıf yönetimi öz yeterliğinin sınıf içi disipline ayırdıkları zaman ilişkisinde algılanan disiplin ikliminin aracı etkisinin incelendiği bu çalışmada sınıf yönetimi öz yeterliğinin algılanan disiplin ikliminin anlamlı bir yordayıcısı olduğu, sınıf içi disiplin ikliminin de sınıf içi disipline ayrılan zamanın anlamlı bir yordayıcısı olduğu görülmüştür.

Araştırmamızın bulgularına göre öğretmenlerin sınıf yönetimi öz yeterlikleri arttıkça algılanan disiplin iklimi olumlu yönde etkilenmektedir. Öz yeterlik inancı yüksek olan öğretmenler, başarabileceklerine inanarak hedeflerini gerçekleştirme konusunda daha azimli ve disiplin sorunları gibi sınıf içi istenmeyen davranışlara daha dirençli olmaktadır (Gibson ve Dembo, 1984; Podell ve Soodak, 1993). Algılanan disiplin iklimi ölçeğinden elde edilen yüksek puanlar, sınıf disiplininde sıkıntı yaşandığı anlamına yani sınıfın disipline edilemediğine işaret etmektedir. Bu bulguya benzer şekilde sınıf yönetimi öz yeterliğinin disiplin ile ilişkisine yönelik çalışmalar bulunmaktadır. Woolfolk ve Hoy (1990) öğretmen öz yeterliği ile öğretmenlerin öğrenci kontrol ideolojileri arasında anlamlı bir ilişki olduğunu saptamıştır. Düşük öz yeterlik inancına sahip öğretmenler, öğrencileri eleştirmeye daha yatkınken yüksek öz yeterlik inancına sahip öğretmenlerin doğru davranışları vurgulayarak öğrenciyi gururlandırmayı ve olumlu bir disiplin iklimi oluşturmayı tercih ettikleri saptanmıştır (Gibson ve Dembo, 1984). Bandura (1997) bireyin gerçekten sahip olduğu becerilerden ziyade, yapabileceklerine ilişkin öz yeterlik inançlarının davranışları

açıklamada daha etkili olduğunu belirtmiştir. Bu doğrultuda düşük düzeyde sınıf yönetimi öz yeterlik inancı olan öğretmenlerin sınıfta disiplin ikliminin daha olumsuz olması açıklanabilmektedir.

Araştırmanın bir diğer bulgusu ise algılanan disiplin ikliminin disipline ayrılan zamanın anlamlı bir yordayıcısı olduğudur. Algılanan disiplin iklimi olumsuz oldukça, disipline ayrılan zaman da artmaktadır. Başarılı bir öğretim için disiplin kritik bir öneme sahiptir. Disiplin, olumlu bir sınıf iklimi oluşturulabilmesi ve akademik başarının sağlanabilmesi için temel unsurdur (Masitsa, 2008). Bu nedenle öğretmenlerin öğretim sürecine ilişkin kaygı yaşadıkları konulardan biri sınıfta disiplinin sağlanabilmesidir (Eshetu, 2014). Öğretmenler, sınıf etkinliklerinin hedefine ulaşabilmesi için öncelikle disiplinli bir öğretim ortamı oluşturmaya çalışmaktadır. Bu doğrultuda algıladıkları disiplin iklimi ne kadar olumsuzsa disiplin ortamının oluşturulması için daha fazla zaman harcamaktadırlar.

Araştırma kapsamında sınıf yönetimi öz yeterlik algısının, disipline ayrılan zaman arası ilişkide, algılanan disiplin ikliminin aracı rolü incelenmiştir. Bulgulara göre algılanan disiplin ikliminin tam aracı etkisi olduğu görülmüştür. Alanyazın incelendiğinde, bu değişkenlerin aracılık ilişkisinin incelendiği bir çalışmaya rastlanmamıştır. Bununla birlikte sınıf yönetimi ve disipline öğretmen öz yeterliğini (Emmer ve Hickman, 1991; Khan vd., 2015), öğretmen öz yeterliği ile sınıf yönetimi becerilerini (cerit, 2011; Tıfırlıoğlu ve Ulusoy, 2012) ele alan çalışmalar sınıf yönetimi öz yeterlik algısının olumlu disiplin iklimine sahip sınıflar oluşturulmasında etkili olduğunu göstermektedir. Disiplin iklimi sağlanmış sınıflarda öğretmenler zamanları disiplin için değil gerçek öğrenme etkinliklerine ayıracaktır. Bu durum öğretimin niteliğini ve akademik sonuçları olumlu şekilde etkileyecektir. Alanyazında, sınıf disiplininin akademik başarı üzerindeki olumlu etkisini saptayan çalışmalar bu bulguyu desteklemektedir (Masitsa, 2008; Eshetu, 2014; Ma & Willms, 2004; Ning vd., 2015).

Eğitimde hedeflere ulaşılabilmesi, öğrenci öğrenmelerinin istendik düzeyde gerçekleşebilmesi ile mümkündür. Bu doğrultuda öğretim ortamlarının düzenli ve disiplinli olması ve öğretim sürecinde öğrenmeye daha fazla zaman ayrılması beklenmektedir. Türkiye'nin gerek ulusal gerek uluslararası sınavlarda başarısını artırabilmesi için derste öğrenmeye ayrılan zamanın hem niceliksel hem de niteliksel olarak artırılması gerekmektedir. Bunun için sınıflarda disiplin ikliminin sağlanabilmesi ve disipline ayrılan zamanın en aza indirilmesi beklenmektedir.

ÖNERİLER

Bu çalışmada sınıf yönetimi öz yeterliğinin sınıfta disiplin ikliminin sağlanması ve disipline ayrılan zamanın azaltılması ile anlamlı bir ilişkisi olduğu ve sınıf yönetimi öz yeterliğinin algılanan disiplin iklimi aracılığı ile disipline ayrılan zamanın belirlenmesinde önemli bir katkıya sahip olduğu ortaya koyulmuştur. Çalışma sonuçlarına dayanarak sınıf yönetimi öz yeterliğinin artırılması için ilgili alanda mesleki gelişim programlarının düzenlenmesi, sınıf yönetimine ilişkin paylaşımların yapılabileceği meslektaş toplantılarının organize edilmesi ve öğretmenlerin kendilerini rahatlıkla ifade edebilecekleri sağlıklı ve açık bir okul ikliminin oluşturulması önerilebilir. Mevcut çalışma farklı ülkelerin verileri üzerinden yinelenip karşılaştırılmalı çalışmalar yürütülebilir. Ayrıca disipline ayrılan zamanı belirleyen başka değişkenler ile de çalışmaların yürütülmesi alanyazına katkı sağlayabilir.

Etik Metni

Bu makalede dergi yazım kurallarına, yayın ilkelerine, araştırma ve yayın etiği kurallarına, dergi etik kurallarına uyulmuştur. Makale ile ilgili doğabilecek her türlü ihlallerde sorumluluk yazarlara aittir.

Yazarların Katkı Oranı Beyanı: 1. yazarın bu makaleye katkı oranı %50; 2. yazarın bu makaleye katkı oranı %50'dir.

KAYNAKÇA

- Avanzi, L., Miglioretti, M., Velasco, V., Balducci, C., Vecchio, L., Fraccaroli, F., & Skaalvik, E. (2013). Cross-validation of the norwegian teacher's self-efficacy scale (NTSES). *Teaching and Teacher Education, 31*, 69-78.
- Bakker, A. B., & Demerouti, E. (2007). The job demands–resources model: State of the art. *Journal of Managerial Psychology, 22*, 309–328. <https://doi.org/10.1108/02683940710733115>
- Bandura, A. (1977). Self-efficacy: Toward a unifying theory of behavioral change. *Psychological Review, 84*, 191-215.
- Baron, R. M. ve Kenny, D. A. (1986). The moderator-mediator variable distinction in social psychological research: Conceptual, strategic, and statistical considerations. *Journal of Personality and Social Psychology, 51*, 1173-1182.
- Baumgartner, H. & Homburg, C. (1996). Applications of structural equation modeling in marketing and consumer research: A review. *International Journal of Research in Marketing, 13*(2), 139-161.
- Betoret, F. D. (2009). Self-efficacy, school resources, job stressors and burnout among Spanish primary and secondary school teachers: A structural equation approach. *Educational Psychology, 29*, 45–68.
- Bong, M., & Skaalvik, E. M. (2003). Academic self-concept and self-efficacy: How different are they really? *Educational Psychology Review, 15*, 1–40. <https://doi.org/10.1023/A:1021302408382>
- Boyle, G. J., Borg, M. G., Falzon, J. M., & Baglioni Jr., A. J. (1995). A structural model of the dimensions of teacher stress. *British Journal of Educational Psychology, 65*, 49 – 67. <https://doi.org/10.1111/j.2044-8279.1995.tb01130.x>
- Brouwers, A., & Tomic, W. (2000). A longitudinal study of teacher burnout and perceived self-efficacy in classroom management. *Teaching and Teacher Education, 16*, 239 –253. [https://doi.org/10.1016/S0742-051X\(99\)00057-8](https://doi.org/10.1016/S0742-051X(99)00057-8)
- Browne, M. W. & Cudeck, R. (1993). Alternative ways of assessing model fit. K. A. Bollen ve J. S. Long (Ed.), *Testing structural equation models* (pp. 136-162). Sage.
- Burden, P. R. (2000). *Powerful classroom management strategies: Motivation students to learn*. Corwin Press.
- Caprara, G., Barbaranelli, C., Borgogni, L. & Steca, P. (2003). Efficacy Beliefs as Determinants of Teachers' Job Satisfaction. *Journal of Educational Psychology, 95*. 821-832. <https://doi.org/10.1037/0022-0663.95.4.821>
- Caprara, G.V., Barbaranelli, C., Steca, P., & Malone, P.S. (2006). Teachers' self-efficacy beliefs as determinants of job satisfaction and students' academic achievement: A study at the school level. *Journal of School Psychology, 44*, 473–490.

- Cerit, Y. (2011). The relationship between pre-service classroom teachers' self-efficacy beliefs and classroom management orientations. *Buca Eğitim Fakültesi Dergisi*, (30), 156-174.
- Chang, M.-L., & Davis, H. A. (2009). Understanding the role of teacher appraisals in shaping the dynamics of their relationships with students: Deconstructing teachers' judgments of disruptive behavior/students. In P. A. Schutz & M. Zembylas (Eds.), *Advances in teacher emotions research*. Springer.
- Chesnut, S, R. & Burley, H. (2015). Self-efficacy as a predictor of commitment to the teaching profession: A meta-analysis. *Educational Research Review*,15, 1-16.
- Collie, R. J., Shapka, J. D., & Perry, N. E. (2012). School Climate and Social-Emotional Learning: Predicting Teacher Stress, Job Satisfaction, and Teaching Efficacy. *Journal of Educational Psychology*, 104, 1189-1204. <https://doi.org/10.1037/a0029356> .
- Dicke, T., Parker, P. D., Marsh, H. W., Kunter, M., Schmeck, A., & Leutner, D. (2014, January 20). Self-Efficacy in Classroom Management, Classroom Disturbances, and Emotional Exhaustion: A Moderated Mediation Analysis of Teacher Candidates. *Journal of Educational Psychology*. Advance online publication. <https://doi.org/doi:10.1037/a0035504>
- Emmer, E. & Hickman, J. (1991). Teacher efficacy in classroom management and discipline. *Educational and Psychological Measurement*, 51, 755-765.
- Eshetu , A. A. (2014).Indiscipline problems of high school students: The case of Ethio-Japan Hidasse Secondary School (Addis Ababa, Ethiopia) .*Journal of Education and Practice*, 5(37),23-28. Retrieved from <http://www.iiste.org>
- Evers, W. J. G., Tomic, W., & Brouwers, A. (2004). Burnout among teachers: Students' and teachers' perceptions compared. *School Psychology International*, 25, 131–148. <https://doi.org/10.1177/0143034304043670>
- Evertson, C. M., & Emmer, E. T. (2009). *Classroom management for elementary teachers*. Pearson.
- Evertson, C.M., & Weinstein, C.S. (2006). Classroom management as a field of enquiry. In C.M. Evertson & C.S. Weinstein (Eds.), *Handbook of classroom management. Research, practice, and contemporary issues* (pp. 1–16). Lawrence Erlbaum.
- Ferguson, K., Frost, L., & Hall, D. (2012). Predicting teacher stress, anxiety, and job satisfaction. *Journal of Teaching and Learning*, 8(1), 27-42.
- Friedman, I. (2006). Classroom management and teacher stress and burnout. In C. M. Evertson & C. S. Weinstein (Eds.), *Handbook of classroom management: Research, practice, and contemporary issues* (pp. 925–944). Erlbaum.
- Gibson, S. & Dembo, M.H. (1984). Teacher efficacy: a construct validation. *Journal of Educational Psychology*, 76 (4), 569–582.
- Goyette, R., Dore, R., & Dion, E. (2000). Pupils' misbehaviors and the reactions and causal attributions of physical education student teachers: A sequential analysis. *Journal of Teaching in Physical Education*, 20, 3 – 14.
- Henson, R. K. (2003). Relationships between pre-service teachers' self-efficacy, task analysis, and classroom management beliefs. *Research in the Schools*, 10 (1), 53-62.

- Henson, R.K. & Chambers, S.M. (2005). Personality type as a predictor of teaching efficacy and classroom control in emergency certification teachers. *Education*, 124 (2), 261-8.
- Iacobucci, D., Neela S. & Xiaoyan D. (2007). A meditation on mediation: evidence that structural equations models perform better than regressions. *Journal of Consumer Psychology*, 17(2), 139-153.
- Khan, A., Fleva, E. & Qazi, T. (2015). Role of self-esteem and general self-efficacy in teachers' efficacy in primary schools. *Psychology*. 6. 117-125. <https://doi.org/10.4236/psych.2015.61010>
- Klassen, R. M., & Chiu, M. M. (2011). The occupational commitment and intention to quit of practicing and pre-service teachers: Influence of self-efficacy, job stress, and teaching context. *Contemporary Educational Psychology*, 36, 114–129. <https://doi.org/10.1016/j.cedpsych.2011.01.002>
- Klassen, R. M., Bong, M., Usher, E. L., Chong, W. H., Huan, V. S., Wong, I. Y. F., & Georgiou, T. (2009). Exploring the validity of the Teachers' Self-Efficacy Scale in five countries. *Contemporary Educational Psychology*, 34, 67–76. <https://doi.org/10.1016/j.cedpsych.2008.08.001>
- Klassen, R., & Tze, V. M. C. (2014). Teachers' self-efficacy, personality, and teaching effectiveness: A meta-analysis. *Educational Research Review*, 12, 59-76. <https://doi.org/10.1016/j.edurev.2014.06.001>
- Kline, R. B. (2011). *Principles and practice of structural equation modeling*. The Guilford Press.
- Ma, X., & Willms, J. D. (2004). School Disciplinary Climate: Characteristics and Effects on Eighth Grade Achievement. *Alberta Journal of Educational Research*, 50(2), 169–188.
- Marsh, H. W., Hau, K. T., Artelt, C., Baumert, J. & Peschar, J. L. (2006). OECD's brief self-report measure of educational psychology's most useful affective constructs: Cross-cultural, psychometric comparisons across 25 countries. *International Journal of Testing*, 6(4), 311-360.
- Martin, N. K., Yin, Z., Baldwin, B. (1998). Construct validation of the attitudes & Beliefs on classroom control inventory. *Journal of Classroom Interaction*, 33(2), 6-15
- Masitsa, G. (2008). Discipline and disciplinary measures in the Free State township schools: Unresolved problems. *Acta Academica*, 40(3), 234 - 270. http://reference.sabinet.co.za/sa_epublication_article/academ_v40_n3_a10
- Ning, B., Van -Dammme, J., Yang , X., & Gielen, S. (2013, September). *Does classroom disciplinary climate in a school matter everywhere? A cross-country comparative study*. Paper presented at The 2013 Annual Meeting of the European Conference on Educational Research. Retrieved from <https://lirias.kuleuven.be/handle/123456789/428773>
- OECD (2009), *Creating Effective Teaching and Learning Environments: First Results from TALIS*, TALIS, OECD Publishing. <http://dx.doi.org/10.1787/9789264068780-en>.
- Oppermann, E., Brunner, M. & Anders, Y. (2019). The interplay between preschool teachers' science self-efficacy beliefs, their teaching practices, and girls' and boys' early science motivation. *Learning and Individual Differences*. 70. 86-99. <https://doi.org/10.1016/j.lindif.2019.01.006>.
- Pfitzner-Eden, F., Thiel, F. & Horsley, J. (2014). An Adapted Measure of Teacher Self-Efficacy for Preservice Teachers: Exploring its Validity Across two Countries. *Zeitschrift für Pädagogische Psychologie*, 28. 83-92. <https://doi.org/10.1024/1010-0652/a000125>.

- Podell, D. & Soodak, L. (1993). Teacher efficacy and bias in special education referrals. *Journal of Educational Research, 86*, 247-53.
- Preacher, K. J. & Hayes, A. F. (2008). Asymptotic and resampling strategies for assessing and comparing indirect effects in multiple mediator models. *Behavior Research Methods, 40*(3), 879-891.
- Raykov, T., & Marcoulides, G. A. (2008). *An Introduction to applied multivariate analysis*. Taylor & Francis Group
- Schermelleh-Engel, K., Moosbrugger, H. ve Muller, H. (2003). Evaluating the fit of structural equation models: Tests of significance and descriptive goodness-of-fit measures. *Method of Psychological Research, 8*(2), 23-74.
- Simbula, S., Guglielmi, D., & Schaufeli, W. B. (2011). A three-wave study of job resources, self-efficacy, and work engagement among Italian schoolteachers. *European Journal of Work and Organizational Psychology, 20*(3), 285–304. <https://doi.org/10.1080/13594320903513916>
- Skaalvik, E. M., & Skaalvik, S. (2007). Dimensions of teacher self-efficacy and relations with strain factors, perceived collective teacher efficacy, and teacher burnout. *Journal of Educational Psychology, 99*, 611–625. <https://doi.org/10.1037/0022-0663.99.3.611>
- Skaalvik, E., & Skaalvik, S. (2010). Teacher self-efficacy and teacher burnout: A study of relations. *Teaching and Teacher Education, 26*, 1059- 1069.
- Tabachnick, B. G. & Fidell, L. S. (2013). *Using multivariate statistics*. Pearson.
- Tilfarlıoğlu, F. Y., & Ulusoy, S. (2012). Teachers' self-efficacy and classroom management skills in EFL classrooms. *Electronic Journal Of Education Sciences, 1*(2), 37-57.
- Tschannen-Moran, M., & Woolfolk Hoy, A. (2001). Teacher efficacy: Capturing an elusive construct. *Teaching and Teacher Education, 17*, 783–805. [https://doi.org/10.1016/S0742-051X\(01\)00036-1](https://doi.org/10.1016/S0742-051X(01)00036-1)
- Tschannen-Moran, M., Woolfolk Hoy, A., & Hoy, W. K. (1998). Teacher efficacy: Its meaning and measure. *Review of Educational Research, 68*, 202–248. <https://doi.org/10.3102/00346543068002202>
- Vieluf, S. & Kunter, M. & Van de Vijver, F. (2013). Teacher self-efficacy in cross-national perspective. *Teaching and Teacher Education, 35*. 92-103. <https://doi.org/10.1016/j.tate.2013.05.006>
- Wang, J. & Wang, X. (2012). *Structural equation modeling: Applications using Mplus*. John Wiley & Sons.
- Woolfolk, A. (2010). *Educational psychology* (11th ed.). Merrill.
- Woolfolk, A. E. & Hoy, W.K. (1990) Prospective teachers' sense of efficacy and beliefs about control. *Journal of Educational Psychology, 82*, 81–91.